

---

## MODIFICATION

---

### ***PROBLEM:***

You may receive a complaint of the unit producing a very high whistle noise

---

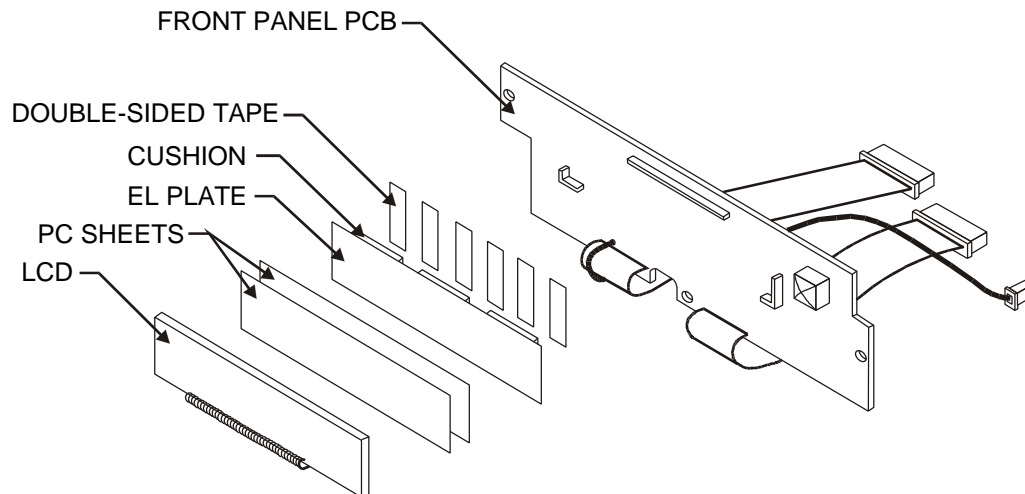
### ***CAUSE:***

The step up transformer for the display circuit is humming

---

### ***SOLUTION:***

1. Insert a transformer with more varnish impregnation
2. Apply glue to fix the step-up transformer to the main pcb
3. Add double sided tape between the cushion at the back of the EL display and the front panel pcb.  
Please refer to the drawing below



---

### ***PRODUCTION:***

This modification will be implemented in production from serialnumber: G0ZC52107201



# Technical Bulletin

C521BEE

---

**Product:** DVD Player

**Hardware Technical Bulletin:**C521BEE-H2005-04

---

**Date:** June 27/05

**Subject:** Laser ribbon cable

**Note:**

**Previous T.B.'s required:**

YES

NO

---

**DESCRIPTION:** You may have the complaint that some tracks skip or stops playing altogether.

---

**REASON:** The laser pick up connects to the main pc board via a flat ribbon cable and possibly is twisted the wrong way . It maybe getting caught on the fuse holders or other parts. just behind the transport mechanism . See figure 1.

---

**SOLUTION:** The ribbon cable needs to be allowed to wrap smoothly as shown in figure 2.

---

**Contact:**

NAD Electronics International

633 Granite Court

Pickering, ON Canada L1K 3K1

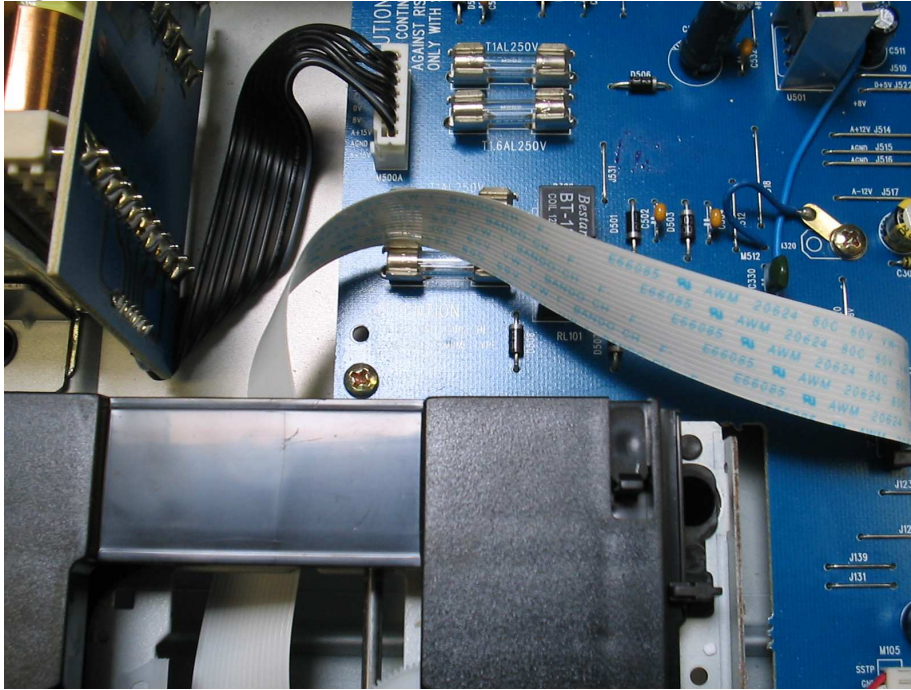
Voice: 905-831-0799 FAX 905-837-6357

[www.nadelectronics.com](http://www.nadelectronics.com)

*Product: DVD Player*

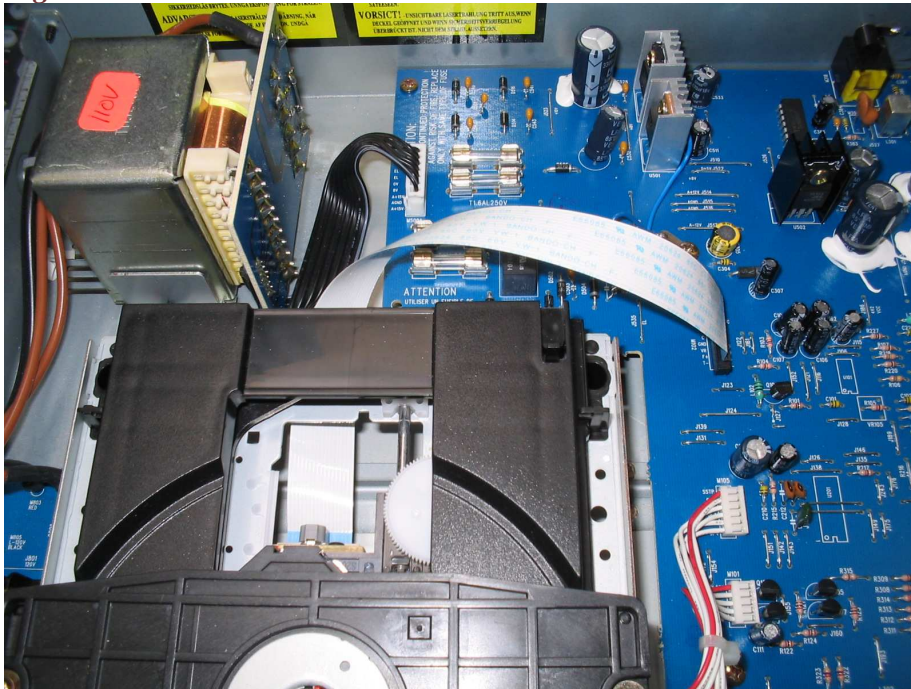
*Hardware Technical Bulletin: C521BEE-H2005-04*

*Figure 1*



**INCORRECT**

*Figure 2*



**CORRECT**